

YONGJIA MOENDA PETROCHEMICAL MACHINERY CO.,LTD.

▶ BELLOW SEAL VALVE SERIES



MED[®]
YONGJIA
MOENDA PETROCHEMICAL
MACHINERY CO.,LTD.

MED[®]



**YONGJIA
MOENDA PETROCHEMICAL
MACHINERY CO.,LTD.**



YONGJIA MOENDA PETROCHEMICAL MACHINERY CO.,LTD.



BRIEF INTRODUCTION

MED petrochemical machinery co., ltd. Is located in Wenzhou, a littoral city in the east of china, with a convenient transportation in road, sea and air. Besides, with beautiful scenery of Yandang Mountain and Nanxi River, Wenzhou also is a scenic spot for tourism and vacation.

Company is specialized in manufacture and research and development of various industrial valves. Have two production bases (Wenzhou and Lishui), occupation of land is 28638m². Wenzhou base's main product covers: oil field valve, bellows seal valve and DIN Valve series; Lishui base covers: gate valve, globe valve, ball valve, check valve, butterfly valve, plug valve and strainer. The product applicable standard covers API, JIS, BS, DIN, NF, GB and JB etc.

The valves can be supplied with various connection type to cater with different demands from customers, it covers: Flange ends, threaded ends, butt welded ends, socket welded ends, clip hoop ends, etc. The valve we supplied can be operated by handwheel, gearbox, pneumatic, electric, hydraulic actuator or electric-hydraulic actuator, hydro-pneumatic actuator, etc. The company can produce a wide range pressure rating and size, from class 150 to class 2500, size from 1/2" to 42". Materials are carbon steel, alloy steel, stainless steel, monel, hastelloy steel, etc. Output annually is over 5000 tons. Its products have been widely used in petrochemical, metallurgy, building construction, power station, shipbuilding and other industries. The company also have exported large number of products to many countries and regions and gained high reputation.

The company always strictly comply with the quality management system of ISO9001 and API6D in its daily operation, Emphasizing in product quality and after-sale service. Its has a full sets of machining machines and quality control Equipments. Relying on its strong technology, advanced machining workmanship and well-trained workers, its products are always with premium quality.

The company serves new and old customers in a principle of "reputation first, customer foremost, circumspect service, quality guarantee", warmly welcome all circles of friends to visit our company.

ООО «ТИ-СИСТЕМС» ИНЖИНИРИНГ И ПОСТАВКА ТЕХНОЛОГИЧЕСКОГО ОБОРУДОВАНИЯ

Интернет: www.tisys.ru www.tisys.kz www.tisys.by www.tesec.ru www.ти-системс.рф

Телефоны: +7 (495) 7774788, 7489626, (925) 5007155, 54, 65 Эл. почта: info@tisys.ru info@tisys.kz info@tisys.by

Leading industry Construct in the future

YONGJIA MOENDA PETROCHEMICAL MACHINERY CO.,LTD.

QUALITY FIRST SERVICE SINCERELY



MED[®]

Show of the products

Leading industry Construct in the future



DIN Angle bellow globe valve



DIN Bellow gate valve



Gate valve



DIN Y-type bellow globe valve



DIN Globe valve



DIN non-stem bellow globe valve



Strainer



DIN Bellow globe valve



Forged bellow globe valve



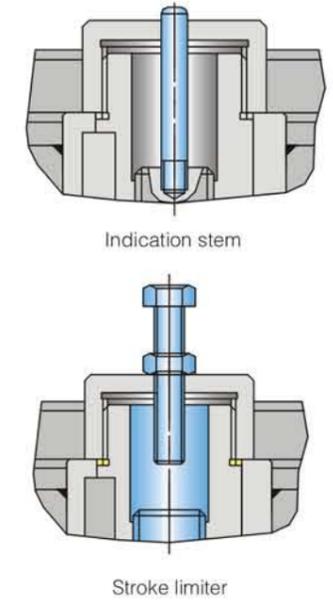
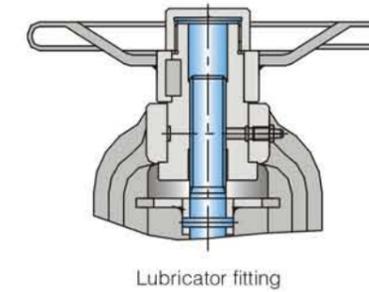
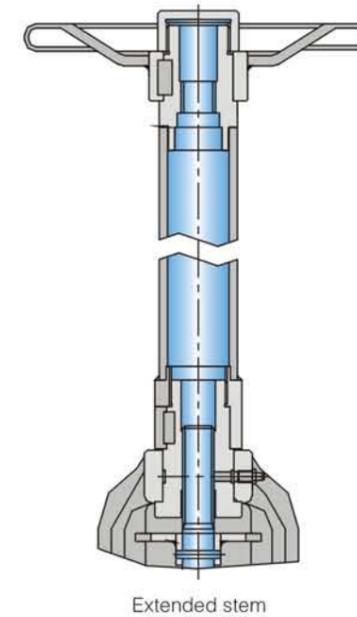
DIN Lift check valve



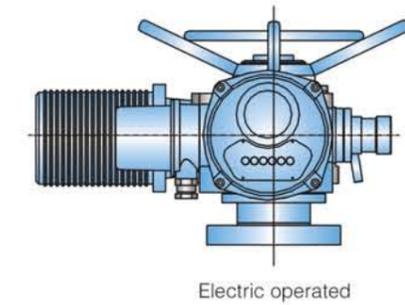
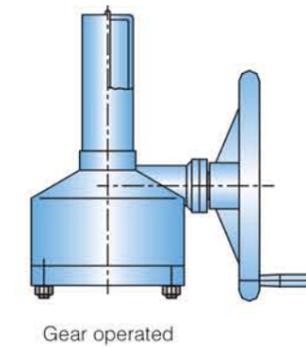
Contents

Optional accessory of globe valve.....	01
Steel bellows & main material.....	02
Bellow seal globe valve series.....	03-07
Globe valve series.....	08-11
Check valve series.....	12-14
Gate valves.....	15-17
Bellow seal gate valve.....	18-19
Ball valve.....	20-21
Strainer.....	22
Forged steel globe valve.....	23
DIN Flanged dimension table.....	24-25

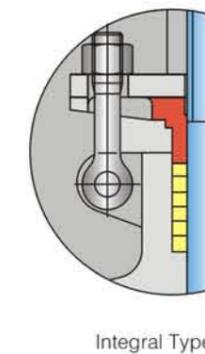
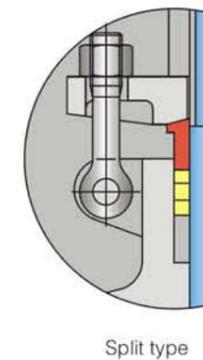
Optional Accessory of Globe Valve



Optional Operation

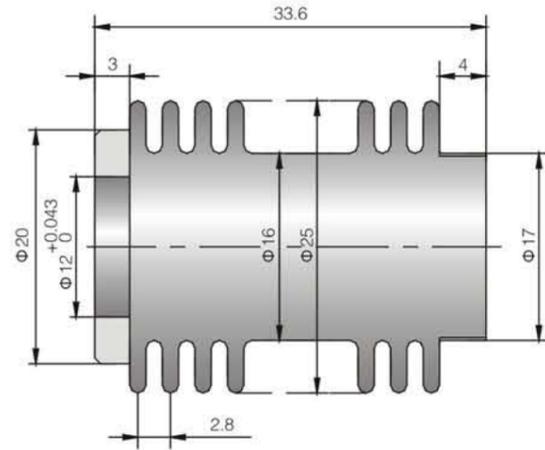


Gland Structure Type



Stainless Steel Bellow

1. Apply to bellow seal globe valve, bellow seal gate valve, bellow seal throttle valve, bellow seal control valve.
2. Working Temperature: -196°C ~ 300°C
3. Material: 1Cr18Ni9Ti, 0Cr18Ni9, 00Cr17Ni14Mo2 or as client's request
4. Bellows valve cycle life:



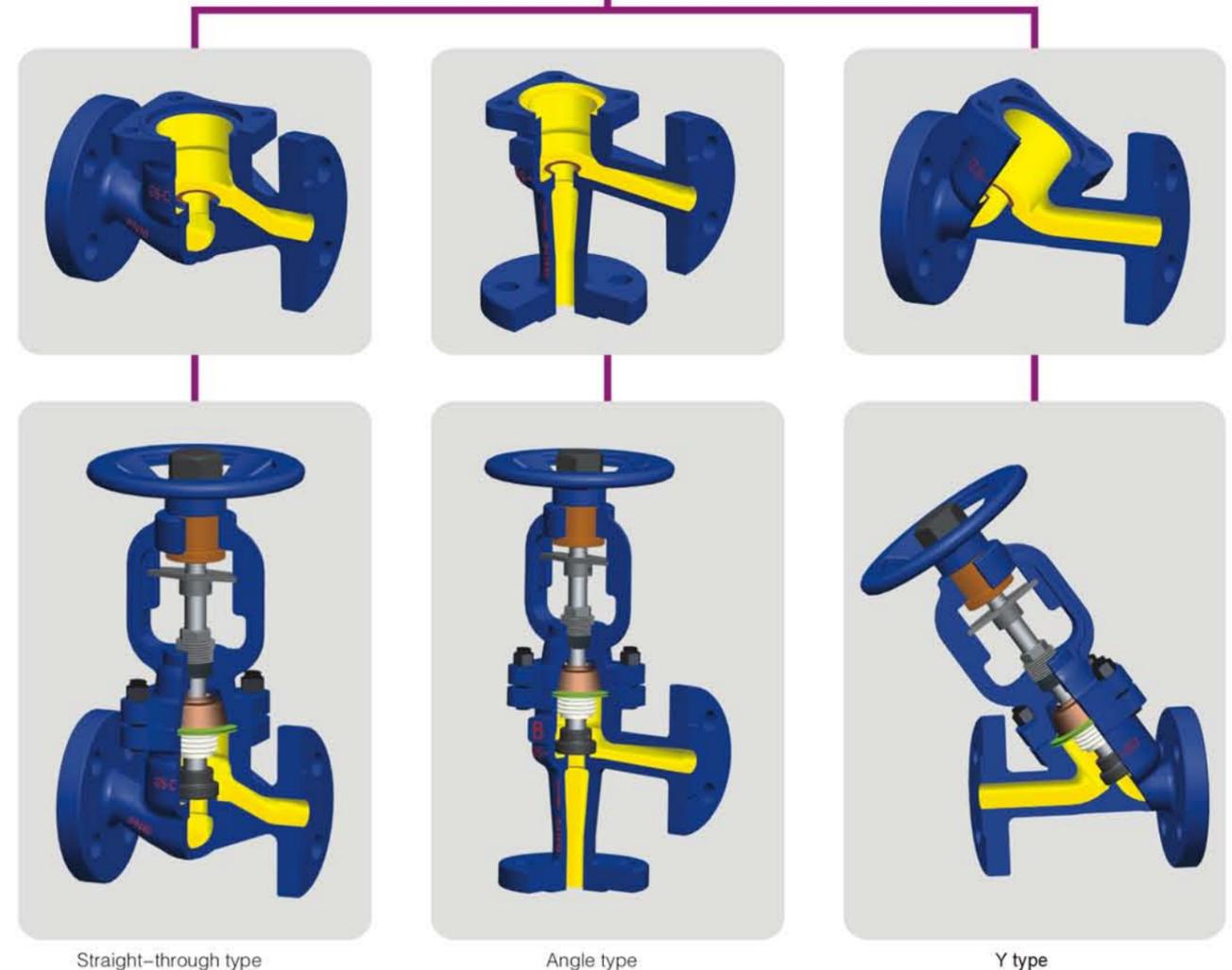
Pressure	Nominal diameter	Minimum cycle life	
		Gate valve	Globe valve
≤800 LB	≤2"	2000	5000
	2.5-4"	2000	5000
	>4"	1000	2000
>800LB	≤2"	2000	2000
	2.5-4"	1000	2000
	>4"	1000	1000

5. Notes:

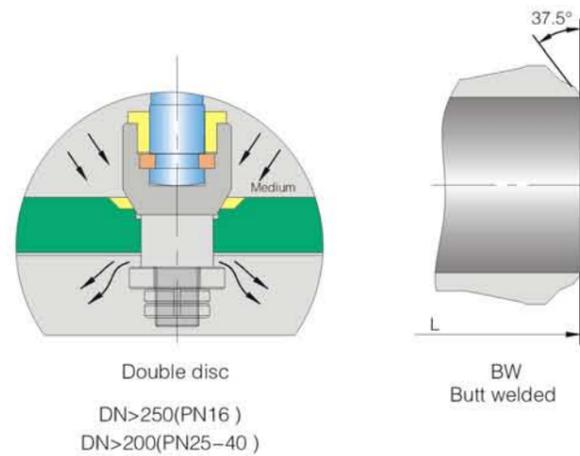
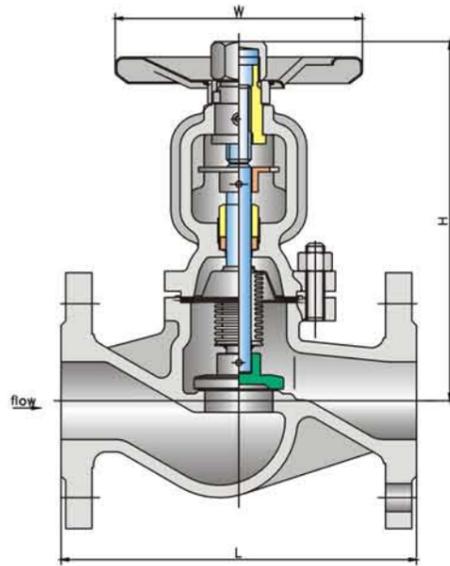
1. The form of bellows pressure is external pressure.
2. Recommend bellow stroke, when opened compression account for 70% of total travel. when closed stretching account for 30% of total stroke.
3. Bellows should be anti-twisting.
4. Bellows compress should be limited.
5. When installing bellows should avoid scrapes and scratches.
6. Before installing bellows should be 100% test qualified.

Parts material list

No.	Parts name	Materials
1	Body	WCB,WCC,CF8,CF8M,CF3,CF3M,CD3MN,WC6,WC9,LC1,LC2,GS-C25
2	Disc	A105,F6,F304,F304L,F316,F316L,17-4PH,F51,F53
3	Stem	F6,F304,F304L,F316,F316L,17-4PH,F51,F53
4	Gasket	SS304+Graphite,SS316+Graphite,PTFE,RPTFE
5	Bellows	SS304,SS316,SS321
6	Bonnet	WCB,WCC,CF8,CF8M,CF3,CF3M,CD3MN,WC6,WC9,LC1,LC2,GS-C25
7	Stud	B7,B7M,B8,B8M
8	Nut	2H,2HM,8,8M
9	Plate	SS304,S316
10	Packing	Graphite,PTFE,RPTFE
11	Gland	SS420,SS304,SS316,
12	Gland Flanged	WCB,WCC,CF8,CF8M,CF3,CF3M,CD3MN,WC6,WC9,LC1,LC2,GS-C25
13	Limited Plate	1025,SS304,SS316
14	Pin	1025,SS420,SS304,SS316
15	Stem Nut	C95200,A148,SS420, D2
16	Handwheel	WCB,1025



Bellow Seal Globe Valve

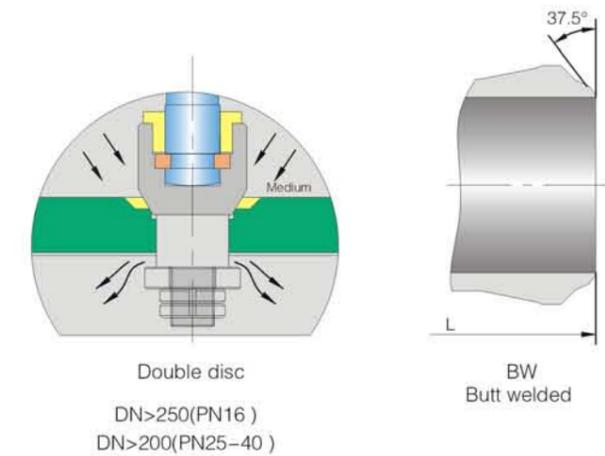
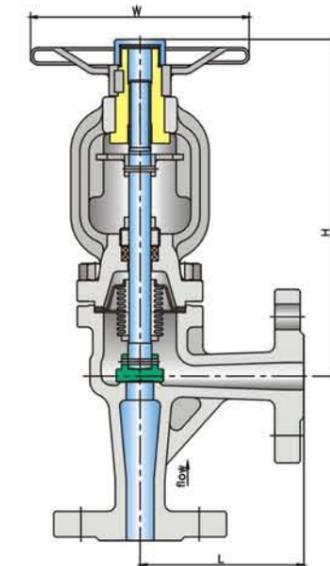


Technical Specification

1. Operation Way: Manual/Electric/Pneumatic
2. Structure Type: BB-BG-OS&Y
3. Design Standard: DIN3356/EN13709
4. Face to Face: DIN3202/EN558-1
5. Flange Standard: DIN2543-2545/EN1092
6. Welded End Standard: DIN3239/EN12627
7. Test and Inspection Standard: DIN3230/EN12266

Type	WJ ₆ ⁴ 1-(16-40)														
DN	15	20	25	32	40	50	65	80	100	125	150	200	250	300	
L	130	150	160	180	200	230	290	310	350	400	480	600	730	850	
H	192	192	202	202	226	230	245	270	345	382	435	545	724	810	
W	PN16 25	120	120	140	140	160	180	180	200	250	300	300	400	520	520
	PN40	120	120	140	140	160	180	180	250	300	350	350	450	520	520
Travel	6	6	8	8	13	13	16	20	25	32	40	50	65	75	
Kv	4.5	7.5	12	19	30	48	77	120	188	285	410	725	1145	1635	

Bellow Seal Angle Globe Valve

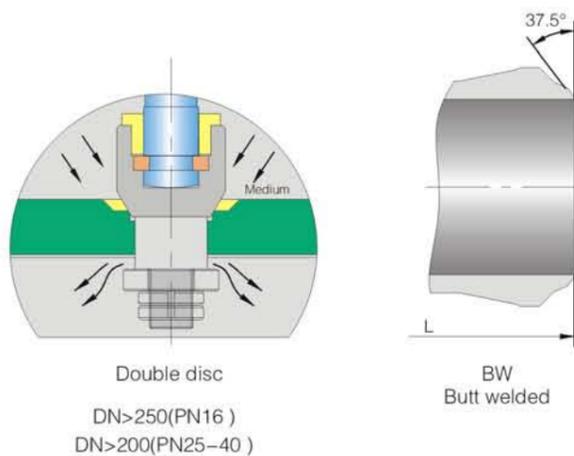
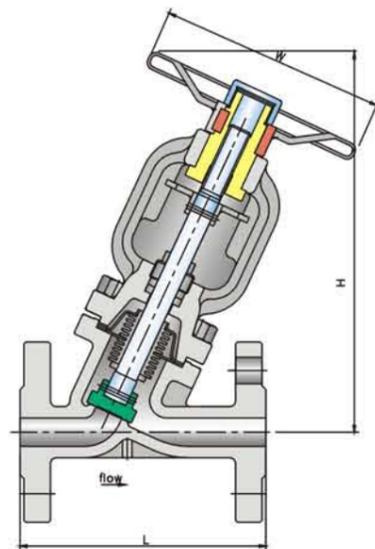


Technical Specification

1. Operation Way: Manual/Electric/Pneumatic
2. Structure Type: BB-BG-OS&Y
3. Design Standard: DIN3356/EN13709
4. Face to Face: DIN3202/EN558-1
5. Flange Standard: DIN2543-2545/EN1092
6. Welded End Standard: DIN3239/EN12627
7. Test and Inspection Standard: DIN3230/EN12266

Type	WJ ₆ ⁴ 4-(16-40)														
DN	15	20	25	32	40	50	65	80	100	125	150	200	250	300	
L	90	95	100	105	115	125	145	155	175	200	225	275	325	375	
H	185	185	192	192	212	212	220	245	310	335	382	470	627	685	
W	PN16 25	120	120	140	140	160	180	180	200	250	300	300	400	520	520
	PN40	120	120	140	140	160	180	180	250	300	350	350	450	520	520
Travel	6	6	8	8	13	13	16	20	25	32	40	50	65	75	
Kv	4.2	7.4	12	18	26	47	77	120	188	288	410	725	1140	1630	

Y Type Bellow Seal Globe Valve

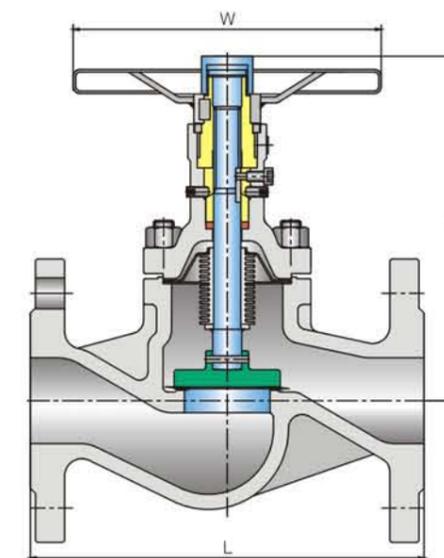


Technical Specification

1. Operation Way: Manual/Electric/Pneumatic
2. Structure Type: BB-BG-OS&Y
3. Design Standard: DIN3356/EN13709
4. Face to Face: DIN3202/EN558-1
5. Flange Standard: DIN2543-2545/EN1092
6. Welded End Standard: DIN3239/EN12627
7. Test and Inspection Standard: DIN3230/EN12266

Type	WJ ₆₅ -(16-40)														
DN	15	20	25	32	40	50	65	80	100	125	150	200	250	300	
L	130	150	160	180	200	230	290	310	350	400	480	600	730	850	
H	197	201	205	205	230	248	266	282	367	412	455	605	768	865	
W	PN16 25	120	120	140	140	160	180	180	200	250	300	300	400	520	520
	PN40	120	120	140	140	160	180	180	250	300	350	350	450	520	520
Travel	6	6	8	8	13	13	16	20	25	32	40	50	65	75	
Kv	5.7	6.6	12.7	17	35.8	48	77	120	188	285	410	789	1272	1817	

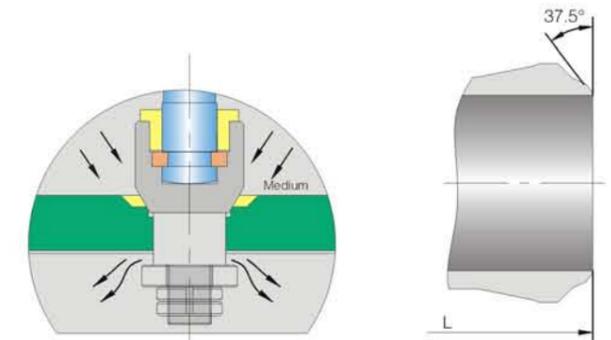
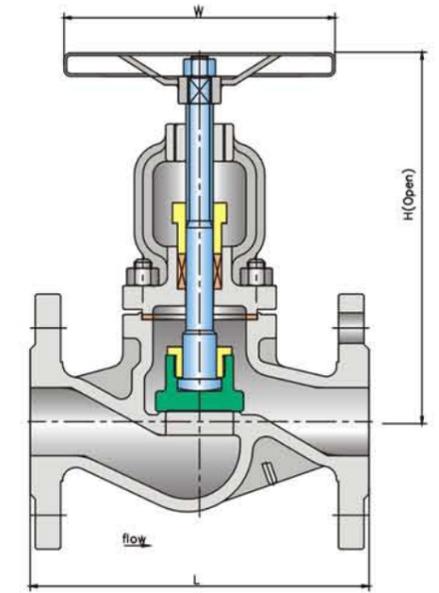
Non-rising Stem Globe Valve



Type	WJ41H-16													
DN	15	20	25	32	40	50	65	80	100	125	150	200	250	300
L	130	150	160	180	200	230	290	310	350	400	480	600	730	850
H	191	191	197	200	218	220	238	257	340	360	390	530	665	720
W	120	120	140	140	160	180	180	200	250	300	300	400	520	520
Weight(kg)	4	4.5	5	7	9	12	18	23	41	54	90	145	245	385
Travel	7	7	12	13	14	15	19	23	28	35	42	52	64	75
Kv	4.2	7.4	12	19	30	47	77	120	188	288	410	725	1145	1635

Type	WJ41H-25													
DN	15	20	25	32	40	50	65	80	100	125	150	200	250	300
L	130	150	160	180	200	230	290	310	350	400	480	600	730	850
H	191	191	197	200	218	220	238	257	340	360	390	530	665	720
W	120	120	140	140	160	180	180	200	250	300	300	400	520	520
Weight(kg)	4	4.5	5	7.5	9.5	12.5	19	23	43	57	95	150	254	395
Travel	7	7	12	13	14	15	19	23	28	35	42	52	64	75
Kv	4.2	7.4	12	19	30	47	77	120	188	288	410	725	1145	1635

Type	WJ41H-40													
DN	15	20	25	32	40	50	65	80	100	125	150	200	250	300
L	130	150	160	180	200	230	290	310	350	400	480	600	730	850
H	191	191	197	200	218	220	238	257	340	360	390	530	665	720
W	120	120	140	140	160	180	180	200	250	300	300	400	520	520
Weight(kg)	4	4.5	5	8	10	13.5	20	25	45	60	98	158	264	405
Travel	7	7	12	13	14	15	19	23	28	35	42	52	64	75
Kv	4.2	7.4	12	19	30	47	77	120	188	288	410	725	1145	1635



Double disc
DN>250(PN16)
DN>200(PN25-40)

BW
Butt welded

Technical Specification

- 1、 Operation Way: Manual/Electric/Pneumatic
- 2、 Structure Type: BB-BG-OS&Y
- 3、 Design Standard: DIN3356/EN13709
- 4、 Face to Face: DIN3202/EN558-1
- 5、 Flange Standard: DIN2543-2545/EN1092
- 6、 Welded End Standard: DIN3239/EN12627
- 7、 Test and Inspection Standard: DIN3230/EN12266



Straight trough type



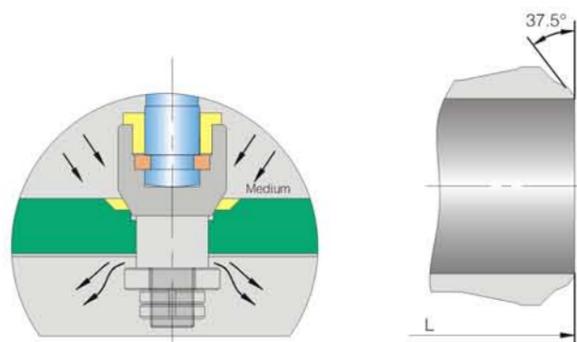
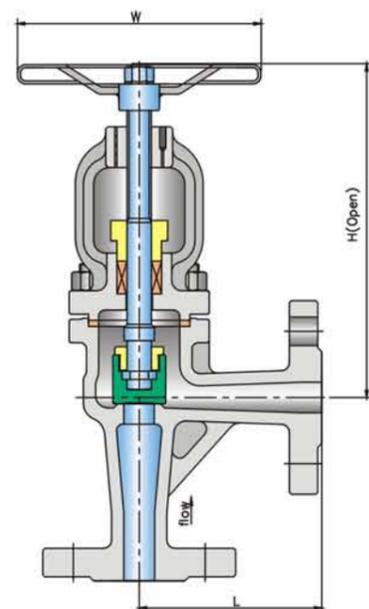
Angle Type



Y Type

Type	J ₆ 1-(16-40)														
DN	15	20	25	32	40	50	65	80	100	125	150	200	250	300	
L	130	150	160	180	200	230	290	310	350	400	480	600	730	850	
H	181	185	198	198	232	254	287	318	381	433	489	650	762	890	
W	PN16 25	120	120	140	140	160	180	180	200	250	300	320	400	520	520
	PN40	120	120	140	140	160	180	180	250	300	350	350	450	520	520
Travel	7	7	11	11	14	16	18	24	28	35	45	60	70	90	
Kv	4.5	7.5	12	19	30	48	77	120	188	285	410	725	1145	1635	

Angle Globe Valve



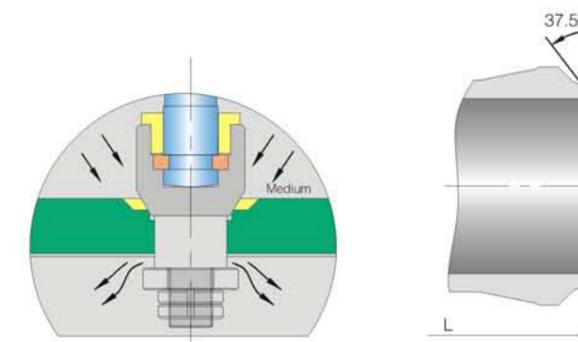
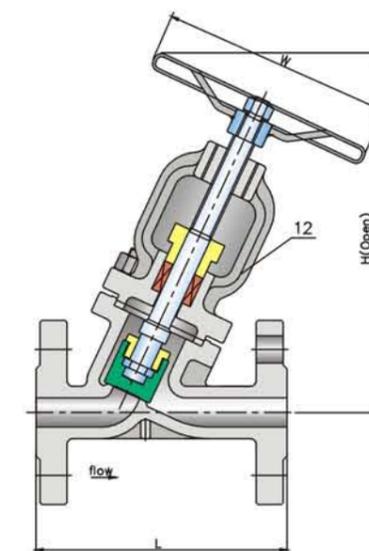
Double disc
DN>250(PN16)
DN>200(PN25-40)

Technical Specification

1. Operation Way: Manual/Electric/Pneumatic
2. Structure Type: BB-BG-OS&Y
3. Design Standard: DIN3356/EN13709
4. Face to Face: DIN3202/EN558-1
5. Flange Standard: DIN2543-2545/EN1092
6. Welded End Standard: DIN3239/EN12627
7. Test and Inspection Standard: DIN3230/EN12266

Type	J44-(16-40)														
DN	15	20	25	32	40	50	65	80	100	125	150	200	250	300	
L	90	95	100	105	115	125	145	155	175	200	225	275	325	375	
H	170	170	184	184	214	218	241	276	324	356	415	515	620	710	
W	PN16 25	120	120	140	140	160	180	180	200	250	300	300	400	520	520
	PN40	120	120	140	140	160	180	180	250	300	350	350	450	520	520
Kv	4.2	7.4	12	18	26	47	77	120	188	288	410	725	1140	1630	

Y-type Globe Valve

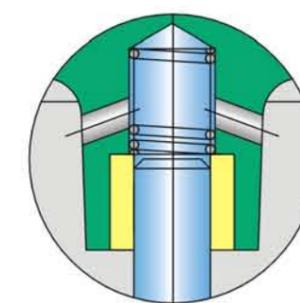
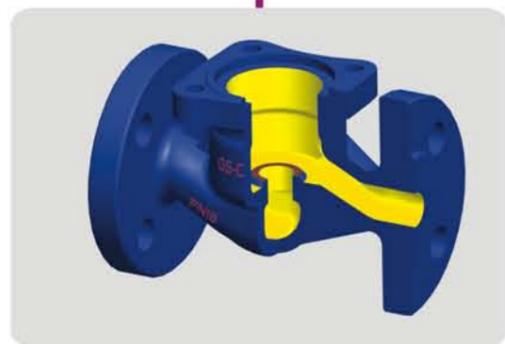
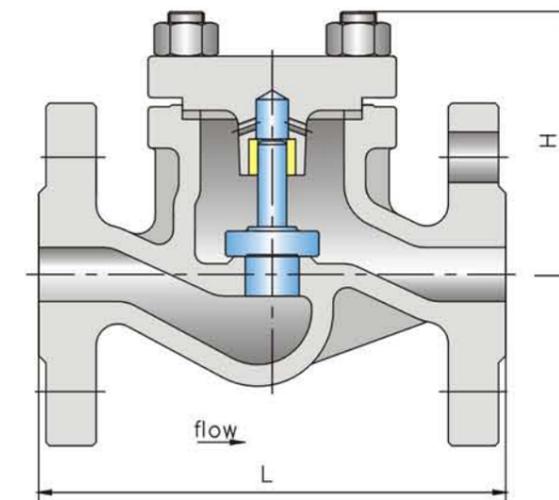
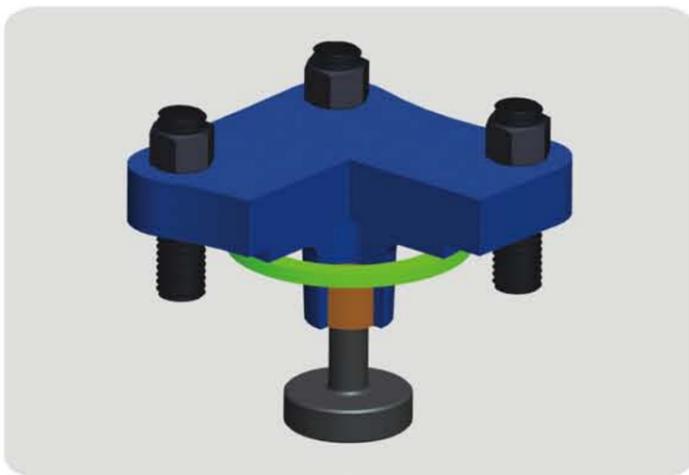


Double disc
DN>250(PN16)
DN>200(PN25-40)

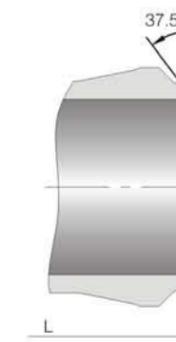
Technical Specification

1. Operation Way: Manual/Electric/Pneumatic
2. Structure Type: BB-BG-OS&Y
3. Design Standard: DIN3356/EN13709
4. Face to Face: DIN3202/EN558-1
5. Flange Standard: DIN2543-2545/EN1092
6. Welded End Standard: DIN3239/EN12627
7. Test and Inspection Standard: DIN3230/EN12266

Type	J45-(16-40)														
DN	15	20	25	32	40	50	65	80	100	125	150	200	250	300	
L	130	150	160	180	200	230	290	310	350	400	480	600	730	850	
H	181	185	198	198	232	254	287	318	381	433	489	650	762	890	
W	PN16 25	120	120	140	140	160	180	180	200	250	300	320	400	520	520
	PN40	120	120	140	140	160	180	180	250	300	350	350	450	520	520
Travel	7	7	11	11	14	16	18	24	28	35	45	60	70	90	
Kv	5.7	6.6	12.7	17	35.8	48	77	120	188	285	410	787	1272	1817	



Spring Loaded



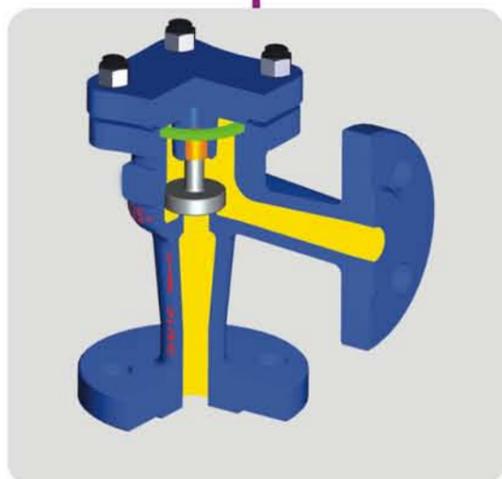
BW
Butt welded

Technical Specification

1. Structure Type: BB
2. Design Standard: DIN3356/EN13709
3. Face to Face: DIN3202/EN558-1
4. Flange Standard: DIN2543-2545/EN1092
5. Welded End Standard: DIN3239/EN12627
6. Test and Inspection Standard: DIN3230/EN12266

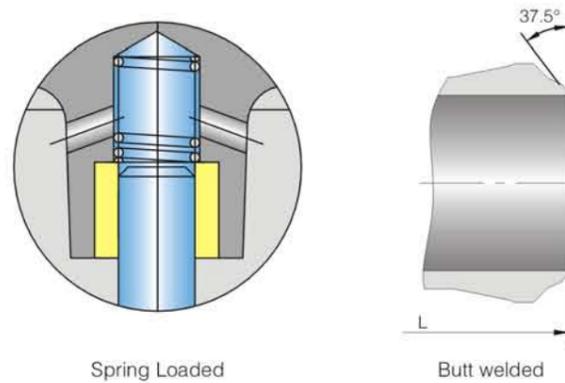
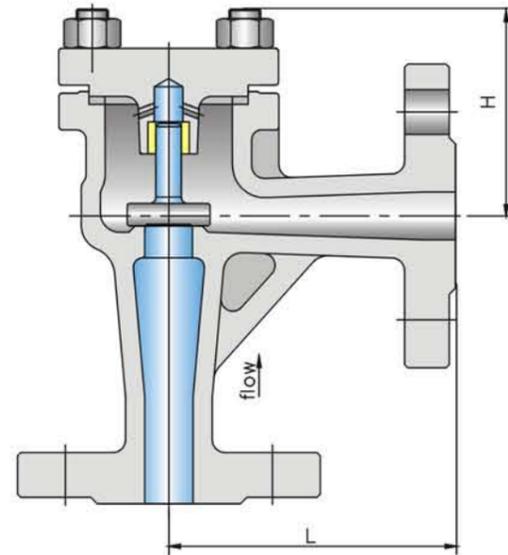
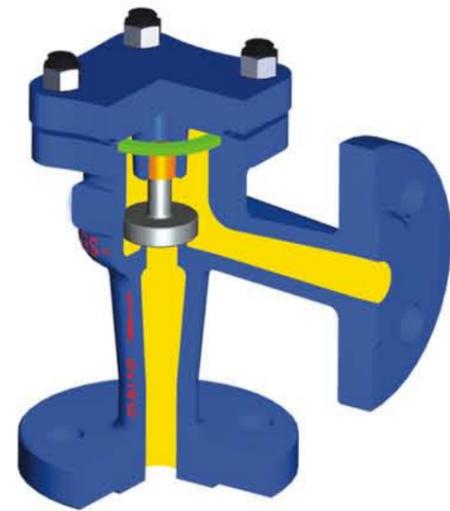


Straight Type



Angle Type

Type	H41-(16-40)													
DN	15	20	25	32	40	50	65	80	100	125	150	200	250	300
L	130	150	160	180	200	230	290	310	350	400	480	600	730	850
H	73	73	83	83	97	101	121	138	156	188	216	277	345	415
Travel	10	10	12	12	18	18	20	25	30	40	50	70	75	80
Kv	4.5	7.5	12	19	30	48	77	120	188	285	410	725	1145	1635



Spring Loaded

Butt welded

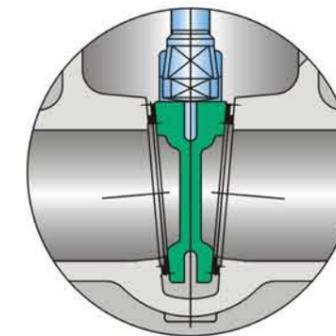
Technical Specification

1. Structure Type: BB
2. Design Standard: DIN3356/EN13709
3. Face to Face: DIN3202/EN558-1
4. Flange Standard: DIN2543-2545/EN1092
5. Welded End Standard: DIN3239/EN12627
6. Test and Inspection Standard: DIN3230/EN12266

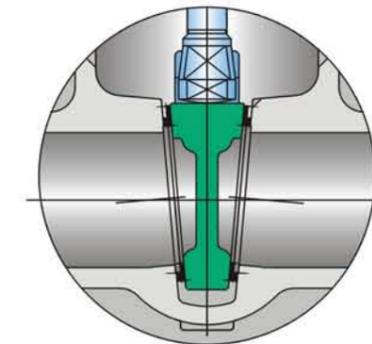
Type	H41-(16-40)													
DN	15	20	25	32	40	50	65	80	100	125	150	200	250	300
L	90	95	100	105	115	125	145	155	175	200	225	275	325	375
H	65	65	71	71	82	83	94	108	119	142	163	203	248	290
行程 Travel	10	10	12	12	18	18	20	25	30	40	50	70	75	80
Kv	4.2	7.4	12	18	26	47	77	120	188	288	410	725	1140	1630



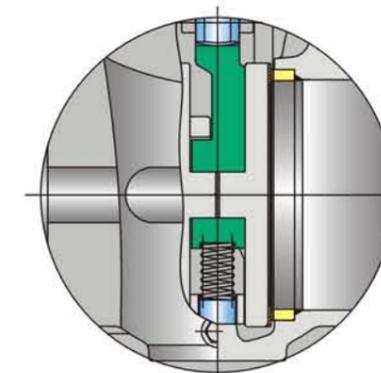
Structure



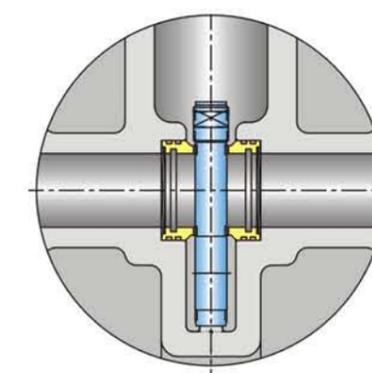
Flexible Wedge Disc



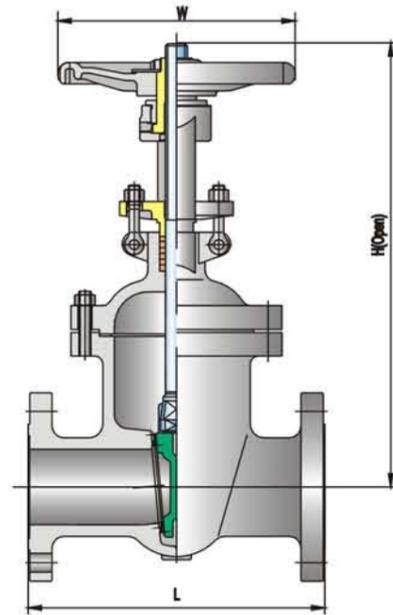
Solid Wedge Single Disc



Parallel Double Disc



Parallel Single Disc



Technical Specification

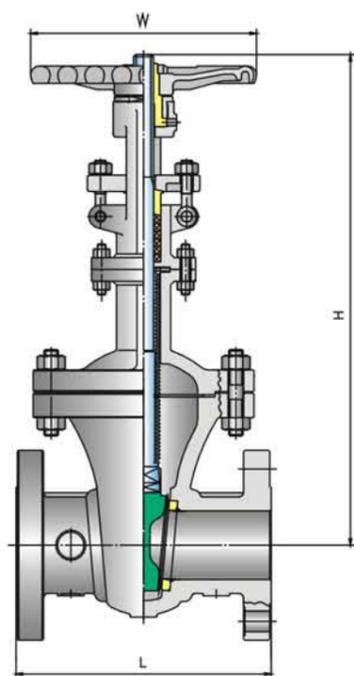
- 1、 Operation Way: Manual/Electric/Pneumatic
- 2、 Structure Type: BB-BG-OS&Y
- 3、 Design Standard: DIN3356/EN13709
- 4、 Face to Face: DIN3202/EN558-1
- 5、 Flange Standard: DIN2543-2545/EN1092
- 6、 Welded End Standard: DIN3239/EN12627
- 7、 Test and Inspection Standard: DIN3230/EN12266

PN	1.6MPa														
DN	40	50	65	80	100	125	150	200	250	300	350	400	450	500	600
L	240	250	270	280	300	325	350	400	450	500	550	600	650	700	800
H	300	358	375	434	502	612	676	820	970	1142	1280	1450	1600	1676	1865
W	200	280	280	320	360	400	400	400	450	550	640	640	720	720	800
Kv	25	40	66	94	162	254	366	650	1010	1465	1837	2437	3122	3876	5660

PN	2.5MPa														
DN	40	50	65	80	100	125	150	200	250	300	350	400	450	500	600
L	240	250	270	280	300	325	350	400	450	500	550	600	650	700	800
H	300	358	375	434	502	612	676	820	970	1142	1280	1450	1600	1676	1865
W	200	280	280	320	360	400	400	400	450	550	640	640	720	720	800
Kv	25	40	66	94	162	254	366	650	1010	1465	1837	2437	3122	3876	5660

PN	4.0MPa														
DN	40	50	65	80	100	125	150	200	250	300	350	400	500	600	
L	240	250	270	280	300	325	350	400	450	500	550	600	700	800	
H	323	372	395	457	552	634	708	858	1015	1203	1341	1492			
W	200	280	280	320	360	400	400	450	560	640	640				
Kv	25	40	66	94	162	254	366	650	1010	1465	1837	2437	3781	5551	

PN	6.4MPa														
DN	40	50	65	80	100	125	150	200	250	300	350	400	500	600	
L	240	250	290	310	350	400	450	550	650	750	850	950	1150	1350	
H	323	372	395	457	552	634	708	858	1015	1203	1341	1492			
W	200	280	280	320	360	400	400	450	560	640	640				
Kv	25	40	66	94	162	254	366	650	1010	1465	1837	2437	3781	5551	



Technical Specification

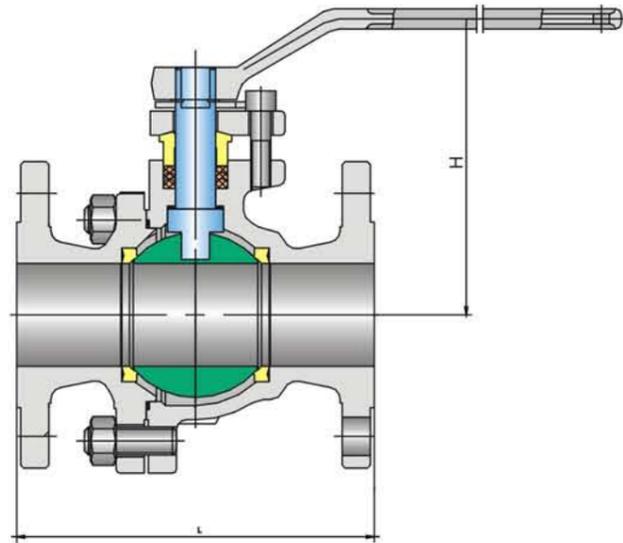
- 1、 Operation Way: Manual/Electric/Pneumatic
- 2、 Structure Type: BB-BG-OS&Y
- 3、 Design Standard: DIN3356/EN13709
- 4、 Face to Face: DIN3202/EN558-1
- 5、 Flange Standard: DIN2543-2545/EN1092
- 6、 Welded End Standard: DIN3239/EN12627
- 7、 Test and Inspection Standard: DIN3230/EN12266

PN	1.6MPa														
DN	15	20	25	32	40	50	65	80	100	125	150	200	250	300	350
L	115	120	120	140	240	250	270	280	300	325	350	400	450	500	550
H	200	210	250	260	290	370	398	440	490	530	580	670	760	850	950
W	120	140	140	180	200	220	260	290	300	340	400	450	450	500	500
Kv	3.5	6.5	9.7	16	25	40	66	94	162	254	366	650	1010	1465	1837

PN	2.5MPa														
DN	15	20	25	32	40	50	65	80	100	125	150	200	250	300	350
L	115	120	120	140	240	250	270	280	300	325	350	400	450	500	550
H	200	210	250	260	290	370	398	440	490	530	580	670	700	850	980
W	120	140	140	180	200	220	260	290	300	340	400	450	450	500	500
Kv	3.5	6.5	9.7	16	25	40	66	94	162	254	366	650	1010	1465	1837

PN	4.0MPa														
DN	15	20	25	32	40	50	65	80	100	125	150	200	250	300	350
L	115	120	120	140	240	250	270	280	300	325	350	400	450	500	550
H	200	210	250	260	290	370	398	440	490	530	580	670	760	850	980
W	120	140	140	180	200	220	260	290	300	340	400	450	450	500	500
Kv	3.5	6.5	9.7	16	25	40	66	94	162	254	366	650	1010	1465	1837

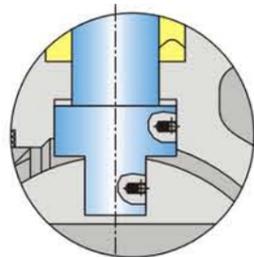
PN	6.4MPa														
DN	15	20	25	32	40	50	65	80	100	125	150	200	250	300	
L	115	120	120	140	240	250	290	310	350	400	450	550	650	750	
H	230	240	290	300	350	450	460	520	550	600	640	750	840	930	
W	140	140	160	180	200	280	280	320	360	400	400	450	560	640	
Kv	25	40	66	94	162	254	366	650	1010	1465	1837	2437	3781	5551	



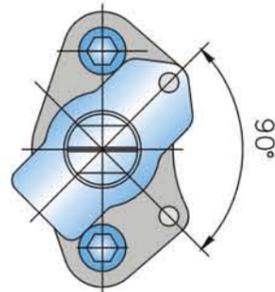
Technical Specification

- 1、 Operation Way: Manual/Electric/Pneumatic
- 2、 Structure Type: BB
- 3、 Design Standard: DIN3357/EN13709
- 4、 Face to Face: DIN3202/EN558-1
- 5、 Flange Standard: DIN2543-2545/EN1984
- 6、 Welded End Standard: DIN3239/EN12627
- 7、 Test and Inspection Standard: DIN3230/EN12266

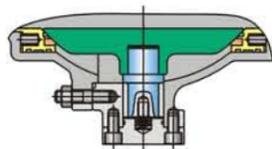
Structure



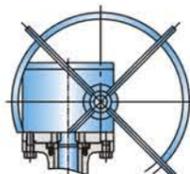
Anti-static



Locked Device



Trunnion Mounted Structure



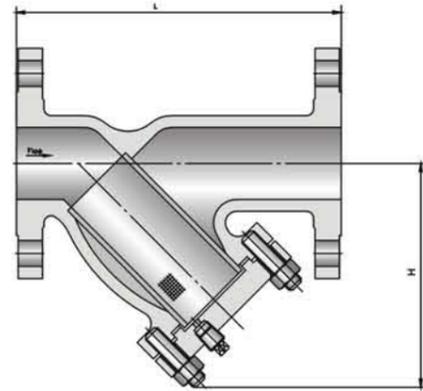
Gear Operated

Type	Q41-16									
DN	40	50	65	80	100	125	150	200	250	300
L	240	250	270	280	300	325	350	400	450	500
H	95	107	142	152	178	252	372	342		
Kv	24.5	40.7	65.2	92.8	169	264	381	685	1076	1560

Type	Q41-25									
DN	40	50	65	80	100	125	150	200	250	300
L	240	250	270	280	300	325	350	400	450	500
H	107	142	152	178	252	272	342	345		
Kv	24.5	40.7	65.2	92.8	169	264	381	685	1076	1560

Type	Q41-40									
DN	40	50	65	80	100	125	150	200	250	300
L	240	250	270	280	300	325	350	400	450	500
H	95	107	142	152	178	252	272	342		
Kv	24.5	40.7	65.2	92.8	169	264	381	685	1076	1560

Strainer

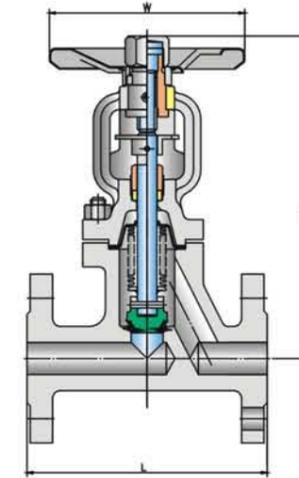


Technical Specification

1. Design Standard: DIN3357/EN13709
2. Face to Face: DIN3202/EN558-1
3. Flange Standard: DIN2543-2545/EN1984
4. Welded End Standard: DIN3239/EN12627
5. Test and Inspection Standard: DIN3230/EN12266

Type	GL41-16/40											
DN	40	50	65	80	100	125	150	200	250	300	350	400
L	200	230	290	310	350	400	480	600	730	850	980	1100
H	145	155	175	210	230	270	300	385	535	680		

Forged Steel Globe Valve



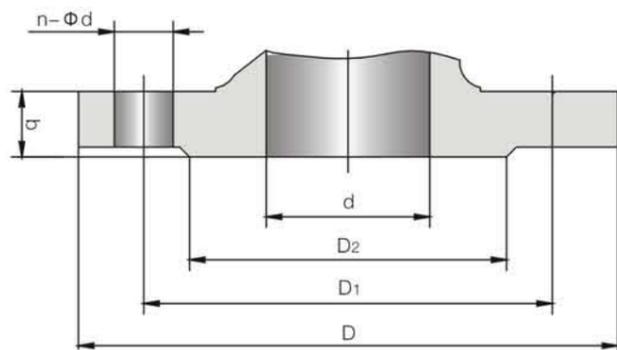
Technical Specification

1. Design Standard: DIN3357/EN13709
2. Face to Face: DIN3202/EN558-1
3. Flange Standard: DIN2543-2545/EN1984
4. Welded End Standard: DIN3239/EN12627
5. Test and Inspection Standard: DIN3230/EN12266

Type	WJ41-16					
DN	15	20	25	32	40	50
L	130	150	160	180	200	230
H	174	176	207	207	210	225

Type	WJ41-25					
DN	15	20	25	32	40	50
L	130	150	160	180	200	230
H	174	176	207	207	210	225

Type	WJ41-40					
DN	15	20	25	32	40	50
L	130	150	160	180	200	230
H	174	176	207	207	210	225



Main dimension

Nominal diameter DN(mm)	Dimension (mm)					
	d	D	D ₁	D ₂	b	n-Φd
PN1.6MPa						
15	15	95	65	45	16	4-14
20	20	105	75	58	18	4-14
25	25	115	85	68	18	4-14
32	32	140	100	78	18	4-18
40	40	150	110	88	18	4-18
50	50	165	125	102	20	4-18
65	65	185	145	122	18	4-18
80	80	200	160	138	20	8-18
100	100	220	180	158	20	8-18
125	125	250	210	188	22	8-18
150	150	285	240	212	22	8-22
200	200	340	295	268	24	12-22
250	250	405	355	320	26	12-26
300	300	460	410	378	28	12-26
400	400	580	525	490	32	16-30
500	500	715	650	610	36	20-33
600	600	840	770	725	40	20-36

Main dimension

Nominal diameter DN(mm)	Dimension (mm)					
	d	D	D ₁	D ₂	b	n-Φd
PN2.5MPa						
15	15	95	65	45	16	4-14
20	20	105	75	58	18	4-14
25	25	115	85	68	18	4-14
32	32	140	100	78	18	4-18
40	40	150	110	88	18	4-18
50	50	165	125	102	20	4-18
65	65	185	145	122	22	8-18
80	80	200	160	138	24	8-18
100	100	235	190	162	24	8-22
125	125	270	220	188	26	8-26
150	150	300	250	218	28	8-26
200	200	360	310	278	30	12-26
250	250	425	370	335	32	12-30
300	300	485	430	395	34	16-30
400	400	620	550	505	40	16-36
500	500	730	660	615	44	20-36
600	600	845	770	720	46	20-39
PN4.0MPa						
15	15	95	65	45	16	4-14
20	20	105	75	58	18	4-14
25	25	115	85	68	18	4-14
32	32	140	100	78	18	4-18
40	40	150	110	88	18	4-18
50	50	165	125	102	20	4-18
65	65	185	145	122	22	8-18
80	80	200	160	138	24	8-18
100	100	235	190	162	24	8-22
125	125	270	220	188	26	8-26
150	150	300	250	218	28	8-26
200	200	375	320	285	34	12-30
250	250	450	385	345	38	12-33
300	300	515	450	410	42	16-33
400	400	660	585	535	50	16-39
500	500	755	670	615	52	20-42
600	600	890	795	735	60	20-48